

TL TN

Technical data



designed to work



TL TN - Technical data

VDI 2198

			OM PIMESPO	OM PIMESPO		
Characteristics	1.1	Manufacturer	OM PIMESPO			
	1.2	Model designation	TL 18	TL 20		
	1.3	Power: battery, diesel, LPG, electric mains	Electric			
	1.4	Operation: manual, pedestrian, stand.on, seated, orderpicker	Pedestrian			
	1.5	Load capacity	Q (t)	1,8	2	
	1.6	Load centre	c (mm)	600 ⁽¹⁾	600 ⁽¹⁾	
Weight	1.8	Load distance	x (mm)	872	872	
	1.9	Wheelbase	y (mm)	1239 ⁽²⁾	1306 ⁽³⁾	1306
	2.1	Unladen weight	kg	273	283	286
	2.2	Axle loading with load (front/rear)	kg	702 / 1495 ⁽⁴⁾	707 / 1526 ⁽⁵⁾	748 / 1688 ⁽⁵⁾
	2.3	Axle loading without load (front/rear)	kg	308 / 89 ⁽⁴⁾	332 / 100 ⁽⁵⁾	332 / 104 ⁽⁵⁾
	Wheels and tyres	3.1	Tyres Rubber, Pneumatic shaped solid, Pneumatic, Polyurethane	Polyurethane		
3.2		Tyre size, front	mm	230 / 100	230 / 100	
3.3		Tyre size, rear	mm	85 X 90	85 X 90	
3.5		Wheels, number front/rear (x = driven)		1x2 / 2	1x2 / 2	
3.7		Track width, rear	b11 (mm)	358 / 398 / 488	358 / 398 / 488	
Dimensions	4.4	Lift height	h3 (mm)	135	135	
	4.9	Height of tiller arm in working position min./max.	h14 (mm)	762 / 1232	762 / 1232	
	4.15	Lowered height	h13 (mm)	85	85	
	4.19	Overall length	l1 (mm)	1693	1760	1760
	4.20	Length to face of forks	l2 (mm)	543	610	610
	4.21	Overall width	b1 (mm)	710	710	
	4.22	Fork dimensions	s/e/l (mm)	50 / 162 / 1150 ⁽⁶⁾	50 / 162 / 1150 ⁽⁶⁾	
	4.25	Outside fork width	b5 (mm)	520 / 560 / 650	520 / 560 / 650	
	4.32	Ground clearance centre of wheelbase	m2 (mm)	168	168	
	4.33	Aisle width with pallets 1000 x 1200 crossways	Ast3 (mm)	1791 ⁽⁸⁾	1858 ⁽⁸⁾	1858 ⁽⁸⁾
Performance	4.34	Aisle width with pallets 800 x 1200 lengthwise	Ast3 (mm)	1991	2058	2058
	4.35	Turning radius	Wa (mm)	1463	1530	1530
	5.1	Travel speed with/without load	km/h	5,6 / 6	5,5 / 6	
	5.2	Lift speed with/without load	m/s	0,034 / 0,045	0,034 / 0,045	
	5.3	Lowering speed with/without load	m/s	0,045 / 0,045	0,045 / 0,045	
	5.7	Gradeability KB 30' (with/without load)	%	0,9 / 19 ⁽⁴⁾	0,8 / 17 ⁽⁵⁾	0,5 / 17 ⁽⁵⁾
	5.8	Max. gradeability KB 5' (with/without load)	%	5,3 / 21 ⁽⁷⁾⁽⁴⁾	5,0 / 21 ⁽⁷⁾⁽⁵⁾	4,5 / 21 ⁽⁵⁾⁽⁷⁾
	5.10	Service brake		Electric at butterfly release	Electric at butterfly release	
	Motors	6.1	Drive motor, S2 60 minute rating	kW	1	1
		6.2	Lifting motor, S3 15% rating	kW	1,2	1,2
6.3		Battery DIN 43531/35/36 A, B, C, no		British Standard	DIN 43535 B	DIN 43535 B
6.4		Battery voltage/capacity at 5 hour rate	V / Ah	24 / 110 (150)24 / 160 (220 - 250)	24 / 160 (220 - 250)	
6.5		Battery weight	kg	123 (152)	150 (212 - 217)	150 (212 - 217)
Other	8.1	Drive control		Eletronic	Eletronic	
	8.4	Average noise level, driver's ear	dB (A)	< 70	< 70	

(1) Values referred to fork length l = 1150 mm

(2) With British Standard battery

(3) With DIN Standard battery 24 V / 220 Ah (250 Ah)

(4) With 24 V / 110 Ah battery

(5) With 24 V / 160 Ah battery

(6) Refer to enclosed table for different fork length

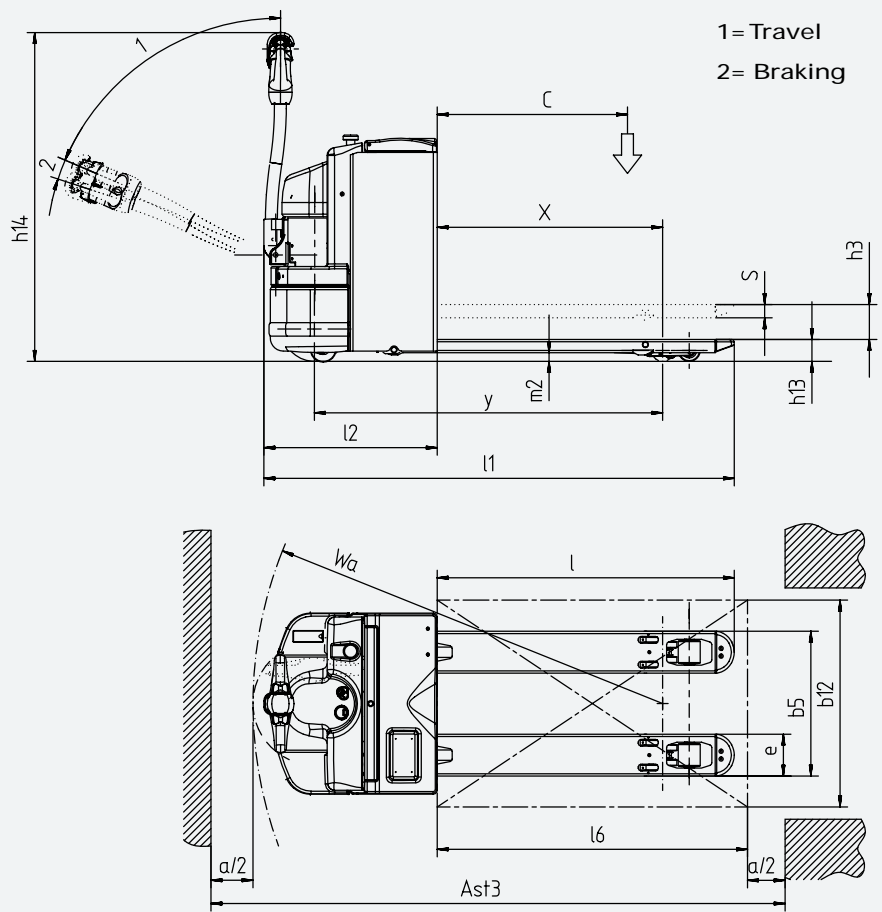
(7) Max gradeability value referred to truck design with forks lifted without load

(8) With forks l = 980 mm

(9) With DIN standard 24 V / 220 Ah (250 Ah) battery

(10) With DIN standard 24 V / 330 Ah (375 Ah) battery

OM PIMESPO		OM PIMESPO	
Tn 22		Tn 30	
Electric		Electric	
Pedestrian		Pedestrian	
2,2		3	
600 ⁽¹⁾		600 ⁽¹⁾	
872		872	
1347	1419	1347	1419
329	338	354	363
854 / 1887 (860 / 1889) ⁽⁹⁾	890 / 1936 (903 / 1940) ⁽¹⁰⁾	1037 / 2529 (1043 / 2531) ⁽⁹⁾	1065 / 2586 (1077 / 2591) ⁽¹⁰⁾
411 / 130 (417 / 132) ⁽⁹⁾	469 / 157 (482 / 161) ⁽¹⁰⁾	432 / 134 (438 / 136) ⁽⁹⁾	490 / 161 (503 / 165) ⁽¹⁰⁾
Polyurethane		Polyurethane	
250 / 100		250 / 100	
85 X 90		85 X 70	
1x-2 / 2		1x-2 / 4	
358 / 398 / 488		358 / 398 / 488	
135		135	
782 / 1252		782 / 1252	
85		85	
1819	1891	1819	1891
671	743	671	743
710		710	
50 / 162 / 1150 ⁽⁶⁾		50 / 162 / 1150 ⁽⁶⁾	
520 / 560 / 650		520 / 560 / 650	
168		168	
1912 ⁽⁸⁾	1984 ⁽⁸⁾	1912 ⁽⁸⁾	1984 ⁽⁸⁾
2112	2184	2112	2184
1584	1656	1584	1656
5,5 / 6		6/6	
0,033 / 0,076		0,03 / 0,076	
0,045		0,045	
0,4 / 17		0,3 / 17	
8 / 20 ⁽⁷⁾		7 / 20 ⁽⁷⁾	
Electric at butterfly release		Electric at butterfly release	
1,2		2,5	
1,8		1,8	
DIN 43535 B		DIN 43535 B	
24 / 220 (250)	24 / 330 (375)	24 / 220 (250)	24 / 330 (375)
212 (220)	288 (305)	212 (220)	288 (305)
Eletronic		Eletronic	
< 70		< 70	



Forks		TL		TL		TN		TN						
Fork spread 520 - 560 - 650 [mm]		British Standard battery 24V 110/150 Ah		DIN Standard battery 24V 160/250 Ah		DIN Standard battery 24V 220/250 Ah		DIN large battery 24V 330/375 Ah						
l	c	x	y	l ₁	W _{a*}	y	l ₁	W _{a*}	y	l ₁	W _{a*}	y	l ₁	W _{a*}
mm	mm	mm	mm	mm	mm	mm	mm	mm	mm	mm	mm	mm	mm	mm
800	400	522	888	1343	1112	955	1410	1179	997	1469	1234	1100	1541	1306
980	500	702	1048	1523	1272	1115	1590	1339	1177	1649	1414	1280	1721	1486
1150	600	872	1239	1693	1463	1306	1760	1530	1347	1819	1584	1450	1891	1656
1450	715	1172	1538	1993	1762	1605	2060	1829	1647	2119	1884	1750	2191	1956
1600	800	1322	1688	2143	1912	1755	2210	1979	1797	2269	2034	1900	2341	2106
1980**	1000	1702	2068	2523	2292	2135	2590	2359	2177	2649	2414	2280	2721	2486
1980 st**	1000	1354	1724	2523	1948	1791	2590	2015	1829	2649	2066	1932	2721	2138
2160**	1073	1882	2248	2703	2472	2315	2770	2539	2357	2829	2594	2460	2901	2666
2160 st**	1073	1534	1904	2703	2128	1971	2770	2195	2009	2829	2246	2112	2901	2318
2400**	1200	2122	2488	2943	2712	2555	3010	2779	2597	3069	2834	2700	3141	2906
2400 st**	1200	1774	2144	2943	2368	2211	3010	2435	2249	3069	2486	2352	3141	2558

* Based on tiller in vertical position (Tiller active in vertical position)
 ** Available on request for TL
 St= short step





Pedestrian low lift pallet trucks TL and TN

Pedestrian low lift power pallet trucks TL and TN

The model range

includes the TL for standard and the TN for heavy-duty applications with capacities from 1800 up to 3000 kg.

Chassis

- < The battery compartment is thoroughly enclosed within the chassis protecting the DIN and BS standard batteries. Batteries are removed from the top but as an option side removal is available.
- < The forks are manufactured of high resistance Domex steel.
- < The paint is applied by the most advanced painting technology available. All non-painted components are treated for corrosion protection.
- < The strong polyethylene bonnets are both resistant and flexible so as to absorb shocks without deformation.

Tiller

- < The welded tiller arm is oval to increase strength incorporating a new concept handle in high resistance plastic.
- < The unique tiller shape and joint enables all operators to assume the most comfortable operating position independently of stature.
- < The lightweight tiller is user friendly enabling continuous use and ensuring minimum operator fatigue. On release the tiller returns to the upright position in a steady, controlled manner. A standard feature of these models is the ability to drive the truck with the tiller in the upright position at reduced speed in confined spaced.

Drive

- < Reliable and powerful motors incorporating separate excitation start from 1 kW up to 2.5 kW (for TN30), ensuring equal performance both laden and unladen.
- < The JULI motors require brushes on average only after 5000 operation hours.

Electronic system

- < The power supply is 24V DC.
- < Traction and lift electronics are enclosed in one static high frequency control unit with MOSFET type transistors.
- < The electronics incorporate a regenerative braking system thus allowing energy recovery on release of the accelerator.
- < The service meter is dual-purpose and is also used for fault detection.
- < The new electronic control systems are not only silent but reduce overall power consumption, increasing battery life. The system constantly monitors the functions of the pallet truck, protecting against power surge and damage to the battery.
- < All electrical systems and wiring are produced to IP54 standard and protected against water spray and dust infiltration, giving increased reliability. Saab electrical connections incorporated in the wiring have increased protection to IP67 standard.

Braking system

- Two different braking modes are incorporated as standard:
- < reverse current braking (re-generative)
 - < automatic electromagnetic parking brake with inductive sensors on the tiller at both stop positions.

Maintenance

- < Readily accessible lifting points facilitate battery installation and removal operations.
- < OM PIMESPO staff can reprogram all the acceleration, braking and speed parameters via the electronic control system.
- < The first service is due at 600 operational hours, except for those components stated otherwise.

Optionals

- < Cold store equipment -30°
- < On board battery charger
- < Clipboard and Document tray
- < Smooth rubber driving wheel
- < Tandem rollers
- < Lead-in rollers in the fork tips
- < Lead-out rollers truckside
- < Hydraulic electric brake
- < Battery Side Removal (enlarged DIN)
- < Mobile battery stillage
- < Fixed battery stillage
- < Width across forks 520-650 mm
- < Fork length up to 2400 mm