

TLR20



TLR20



TLR20



## TSR-TLR Electric Rider pallet truck

**The TLR20 and TSR30 rider pallet trucks are built to tackle any type of transport activity even in the narrowest of spaces. The TSR30's comfortable driving position makes it the clear winner for transporting loads over long distances. Both models offer the benefits of ergonomic operating conditions and easy maintenance.**

### Chassis

Robust steel construction consisting of the traction unit, which accommodates the driver's seat and all the controls, and the lift unit. Easy access to the motor for maintenance.

4-wheel structure provides optimum weight distribution and reduced pressure. Important features when using a goods lift. Pallet entry rollers under the fork tips allow for easier entry from the closed side.

### Driver's seat

Spacious driver's seat designed for ergonomic operating conditions. The TLR is equipped with a small seat to allow the operator to sit down while driving if necessary. The TSR is equipped with a hydraulically cushioned seat that can be adjusted in accordance with the driver's weight and size reducing operator fatigue. Padded armrest with document holder.

### Steering

Power steering with a steering wheel with spinner knob, universal joint connection and chain transmission. The small steering wheel allows for greater speed and maneuverability. The speed of the steering motor is electronically controlled by a sensor located on the universal joint that checks the rotations of the reducer.

### Traction

Robust, series excited motor with forced air ventilation. High performance and optimal energy consumption due to the bevel gear transmission.

### Hydraulic system

Compact but powerful pump unit operated from the control panel. The hydraulic functions are controlled by an electromagnetic valve and a valve that regulates the lower function. A pressure relief valve protects the system from becoming overloaded.

### Braking

Separate service brake and parking brake. An electromagnetic brake acts as the parking brake. The truck brakes smoothly and gradually when the butterfly is operated to reverse the truck. Braking power is adjusted automatically by means of sensors in accordance with the load.

### Battery

Easily accessible for maintenance. Can be removed using a battery stand.

### Safety

The TSR30 and TLR20 trucks comply with the Direttiva Macchine 98/37/CEE and are CE certified.

### Additional equipment

Optional fork lengths. Tandem load wheels.

**Information and data reported here are not intended as binding in any way and refer to standard truck specification.**

# TSR - TLR

Technical data



designed to work



# TSR - TLR Technical data

VDI 2198

		OM PIMESPO	OM PIMESPO		
Characteristics	1.1	Manufacturer	OM PIMESPO		
	1.2	Model designation	TSR 30		
	1.3	Power: (electric,diesel,petrol)	Electric		
	1.4	Operator type: hand, pedestrian, standing, seated, order-picker.	standing / rider seated		
	1.5	Load capacity	Q (t)	3	
	1.6	Load centre distance	c (mm)	600 <sup>(1)</sup>	
	1.8	Load distance, lowered / raised	x (mm)	935 / 775 <sup>(1)</sup>	
	1.9	Wheelbase, lowered / raised	y (mm)	1898 / 1738 <sup>(1)</sup>	
	Weight	2.1	Weight (battery included)	kg	2040 <sup>(1)</sup>
2.2		Axle loading with load driver side / load side	kg	2595 / 2445 <sup>(1)</sup>	
2.3		Axle loading without load driver side / load side	kg	1525 / 515 <sup>(1)</sup>	
Wheels, Tyres	3.1	Tyres: solid rubber, Polyurethane.	Vulkollan		
	3.2	Tyre size driver side Drive wheel / Swivel castor wheel	mm	ø 300 X 100 / ø 200 X 50	
	3.3	Tyre size load side	mm	ø 85 X 86,5	
	3.5	Wheels number load side/driver side (x=drive wheel)		4 / 1x-3	
	3.6	Tread driver side	b <sub>10</sub> (mm)	604	
	3.7	Tread load side	b <sub>11</sub> (mm)	380	
Dimensions	4.4	Lift height	h <sub>3</sub> (mm)	115	
	4.8		h <sub>7</sub> (mm)	1080	
	4.9	Height max of steering wheel	h <sub>14</sub> (mm)	-	
	4.15	height lowered	h <sub>13</sub> (mm)	85	
	4.19	Overall length	l <sub>1</sub> (mm)	2330 <sup>(1)</sup>	
	4.20	Length to front face of forks	l <sub>2</sub> (mm)	1210	
	4.21	Overall width	b <sub>1</sub> (mm)	980	
	4.22	Fork dimensions	s/e/l (mm)	56 / 200 / 1120 <sup>(2)</sup>	
	4.25	Outside fork width dimension	b <sub>5</sub> (mm)	570	
	4.32	Ground clearance centre of wheelbase	m <sub>2</sub> (mm)	22	
	4.33	Aisle width pallets 1000 x 1200 crossways (1200 forking side)	A <sub>st</sub> (mm)	2440 <sup>(3)</sup>	
	4.34	Aisle width pallets 800 x 1200 lengthwise (800 forking side)	A <sub>st</sub> (mm)	2645	
	4.35	turning radius	W <sub>3</sub> (mm)	2175	
	Performance	5.1	Travel speed with load / without load	km/h	9,0 / 12,0
		5.2	Lift speed with load / without load	m/s	0,046 / 0,064
5.3		Lowering speed with load / without load	m/s	0,052 / 0,041	
5.7		Gradeability (with load / without load) <sup>(1)</sup>	%	6 / 15	
5.8		Max. Gradeability (with load / without load) <sup>(1)</sup>	%	-	
5.9		Acceleration time (with load / without load)	s	6,2 / 5,0	
5.10		service brake		hydraulic / mechanics	
Electric Motors		6.1	Drive motor, S2 60 minute rating	kW	4,2
		6.2	Lifting motor, S3 15% rating	kW	2,0
		6.3	Battery DIN IEC 254-2; A, B, C, no		IEC 254-2; A
	6.4	Battery voltage / capacity at 5 hour rate	V / Ah	48 / 620	
	6.5	Battery weight (± 5%)	Kg	940	
	6.6	Energy consumption according to VDI cycle	Kwh/h	-	
Other	8.1	Drive control		Electronic	
	8.4	Sound level at the driver's ear according to DIN 12053	dB (A)	68,9	

TSR 30

(1) Value referred to fork dimension  
l = 1120 x 570 mm

(2) Fork length available as option

L = 960 - 1190 - 1400 - 1600 - 2390 - 3590 mm

(3) With fork length l = 1000 mm

TLR 20

(1) value referred to fork dimensions l = 1150 x 520 mm

(2) Drive wheel in rubber (standard configuration),

[drive wheel in Vulkollan , optional ]

(3) value referred to overall fork width b5= 670 mm

(4) Fork length available as option

L = 1000 - 1200 - 1400 - 1600 - 2390mm

(5) With fork length l = 1000 mm

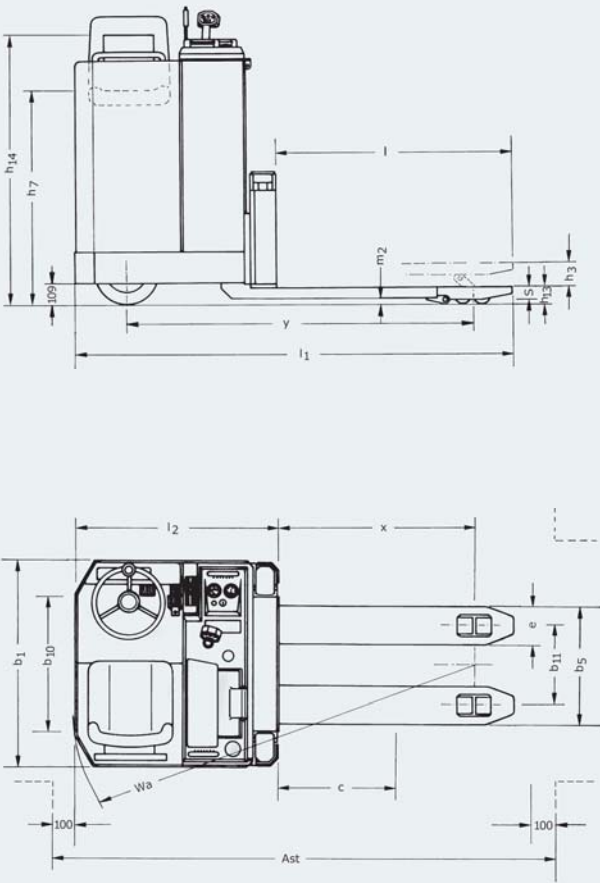
(6) Single load wheel version,

(Tandem load wheel dimension [option] ø 85 X 80)

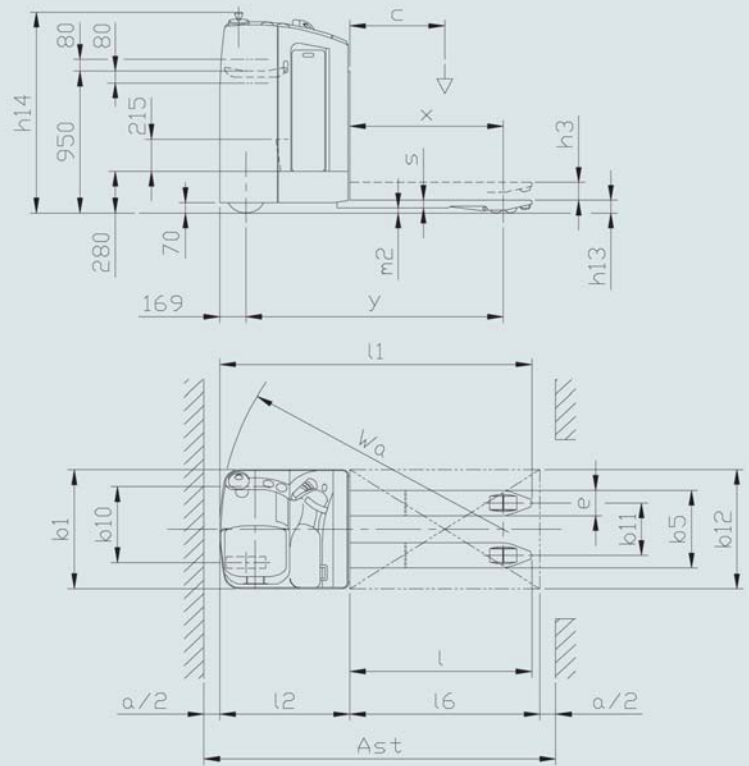
(7) Referred to the Standard version with Single

load wheel (N<sup>4</sup> with Tandem load wheels)

### TSR 30



### TLR 20



### TSR

Fork length (mm)	Load center C (mm)	Distance x (mm)	Wheelbase Y (mm)	Overall length (mm)
960	500	775	1738	2170
1120	600	935	1898	2330
1190	600	1015	1978	2400
1400	700	1215	2178	2610
1600	800	1415	2378	2810
2390	1200	1850	2813	3600
3590	1800	2600	3563	4800

### TLR

Fork length (mm)	Load center C (mm)	Distance x (mm)	Wheelbase Y (mm)	Overall length (mm)
1000	500	820	1473	1820
1150	600	969	1623	1970
1200	600	1020	1673	2020
1400	700	1220	1873	2220
1600	800	1420	2073	2420
2390	1200	1840	2493	3210

Information and data reported here are not intended as binding in any way and refer to standard truck specification  
 For alternative masts see mast-table  
 For alternative wheels see wheels-table

