



TSX - TLX Pedestrian pallet truck with platform



The OM PIMESPO Pedestrian Pallet Truck with flip down platform provides the best combination of productivity, safety and ergonomics with high performance and low-cost operation. These features render this truck indispensable for intensive materials handling operations.

Chassi

The highest spec model in the TSX series has the 3-point support layout as the basic TLX model but includes **INTELLIDRIVE**[®], a patented electro-hydraulic system that enhances the tractive features of the truck. The system adjusts the rear castor wheels (by means of two electronically driven hydraulic cylinders) to optimize the stability of the truck in any situation.



Load capacity: TLX 2000 kg; TSX 2000 kg and 3000 kg

The motor compartment cover is made of polyethylene (PET), a flexible but strong material. The battery cover is also made of the same material and has ample storage space for objects and documents on top.

The standard TLX model has a compact battery compartment (up to 250 Ah), but can be ordered with a large battery compartment (up to 375 Ah) upon request. All the batteries comply with DIN 43535 B standards.

Driver's platform

The platform has a soft rubber mat and a non slip surface that provides maximum operator comfort and safety. The platform is only 170 mm from the ground and when the driver is on board, lowers even further to facilitate easy demounting of the machine. The side guards (optional on the TLX) are padded with polyurethane foam and are at an ideal height for the safe and effective protection of the operator on the platform. The special design of these guards and their simple but secure opening/closing system allow the truck to be easily reconfigured.

The one piece tiller is manufactured from very light but sturdy plastic; the ergonomic handle and optimized layout of the controls create optimal driving conditions. The light finger tip pushbuttons can be operated easily. The tiller provides electric power-assisted steering to reduce operator fatigue and offers maximum comfort stationary and at top speed.

Traction unit

The separately excited traction motors have a rated power of 1.2 kW (TLX) and 2.5 kW (TSX). This feature with the dedicated software offer the benefits of both separate excitation and series excitation:

- Speed control when laden, unladen, and on gradients.
- Energy recovery system with reduced energy consumption.

Braking

The truck has two separate braking systems:

- Service brake Æ Inversion braking on the traction motor (regenerative braking) performed by the electronic control when the butterfly direction control is released
- Handbrake Æ Electromagnetic brake.

Electronic system

The electronic system with MOSFET technology controls both traction and lift motors. The CANBUS serial transmission of electronic signals, reduces the wiring, and the use of automotive connectors all contribute to an excellent record of reliability.

The Temperature Control System in the TLX model controls the temperature of the traction electronics by means of a forced air ventilation system, while the tiller electronic card made with multilayer technology is equipped with a system that maintains the temperature of the logic unit within a predetermined range. This feature has two very important benefits in that it:

- Reduces condensation on the tiller logic unit.
- Increases the average life of the electronic components.

By using proximity sensors instead of mechanical microswitches and reducing the number of remote control switches, the truck has a technical configuration that greatly reduces maintenance costs.

The steering motor is controlled by a dedicated MOSFET electronic card.

Optional equipment

- Compact version (TSX 20 only).
- Cold store version (-30 °C).
- Fork spreads of 520 mm and 650 mm.
- Fork lengths up to 2400 mm.
- Rubber drive wheel.
- Single load roller.
- On-Board Charger.
- Fixed platform.
- Platform with backrest.
- Fixed battery stand.
- Mobile battery stand.

Information and data reported here are not intended as binding in any way and refer to standard truck specification.

TSX - TLX

Technical data



designed to work



TSX - TLX Technical data

VDI 2198

		OM PIMESPO		OM PIMESPO		
		TSX 20	TSX 30	TLX 20		
Characteristics	1.1	Manufacturer	OM PIMESPO			
	1.2	Model designation	TSX 20	TSX 30	TLX 20	
	1.3	Power: (electric,diesel,petrol)	Electric	Electric	Electric	
	1.4	Operator type: hand, pedestrian, standing, seated, order-picker.	Pedestrian / Stand on platform		Pedestrian / Stand on platform	
Weight	1.5	Load capacity	Q (t)	2	3	2
	1.6	Load centre distance	c (mm)	600 ⁽¹⁾	600 ⁽¹⁾	600 ⁽¹⁾
	1.8	Load distance	x (mm)	872	872	872
Wheels, Tyres	1.9	Wheelbase	y (mm)	1376 - (1304) ⁽²⁾	1376	1304
	2.1	Truck Weight (without battery)	kg	478 ⁽¹⁾ - (503) ⁽¹⁾⁽²⁾	478 ⁽¹⁾	352 ⁽¹⁾
	2.2	Axle loading with load load side / driver side	kg	1787 / 996 - (1750 / 974) ⁽²⁾	2590 / 1194	1722 / 978
Dimensions	2.3	Axle loading without load load side / driver side	kg	182 / 601 - (167 / 556) ⁽²⁾	182 / 601	115 / 575
	3.1	Tyres: solid rubber, Polyurethane.		Polyurethane	Polyurethane	Polyurethane
	3.2	Tyre size load side	mm	85 X 70	85 X 70	85 x 90
Dimensions	3.3	Tyre size driver side Drive wheel / Swivel castor wheel	mm	250 / 95	250 / 95	230 / 100
	3.5	Wheels number load side / driver side (x=drive wheel)		4 / 1x-2	4 / 1x-2	2 / 1x-2
	3.6	Tread load side	b ₁₀ (mm)	398 - [(358) ⁽⁸⁾ - (488) ⁽⁹⁾]	398 - [(358) ⁽⁸⁾ - (488) ⁽⁹⁾]	398 - [(358) ⁽⁸⁾ - (488) ⁽⁹⁾]
	3.7	Tread drive side	b ₁₁ (mm)	/	/	/
	4.4	Lift height	h ₃ (mm)	135	135	135
	4.9	Height of tiller arm in working position (min / max)	h ₁₄ (mm)	1145 / 1342	1145 / 1342	1145 / 1342
	4.15	Lowered height	h ₁₃ (mm)	85	85	85
	4.19	Overall length (Platform closed / open)	l ₁ (mm)	1926 / 2253 - [1854 / 2180] ⁽²⁾	1926 / 2253	1854 / 2180 ⁽¹⁾
	4.20	Length to front face of forks (Platform closed / open)	l ₂ (mm)	776 / 1102 - [704 / 1030] ⁽²⁾	776 / 1102	704 / 1030
	4.21	Overall width	b ₁ (mm)	710	710	710
Performance	4.22	Fork dimensions	s/e/l (mm)	50 / 162 / 1150 ⁽⁴⁾	50 / 162 / 1150 ⁽⁴⁾	50 / 162 / 1150 ⁽⁴⁾
	4.25	Outside fork width dimension	b ₅ (mm)	560 [520 - 650]	560 [520 - 650]	560 [520 - 650]
	4.32	Ground clearance centre of wheelbase	m ₂ (mm)	168	168	168
	4.33	Aisle width pallets 1000 x 1200 crossways (Platform closed / open)	A _{st3} (mm)	(1827 / 2134) ⁽⁵⁾⁽⁶⁾ - [1755 / 2062] ⁽²⁾⁽⁵⁾⁽⁶⁾	(1827 / 2134) ⁽⁵⁾⁽⁶⁾	[1755 / 2062] ⁽²⁾⁽⁵⁾⁽⁶⁾
	4.34	Aisle width pallets 800 x 1200 lengthwise (Platform closed / open)	A _{st3} (mm)	(2197 / 2504) ⁽⁶⁾ - [2125 / 2432] ⁽²⁾⁽⁶⁾	(2197 / 2504) ⁽⁶⁾	[2125 / 2432] ⁽²⁾⁽⁶⁾
	4.35	Turning radius (Platform closed / open)	W _a (mm)	1669 / 1976 - [1597 / 1904] ⁽²⁾	1669 / 1976	1597 / 1904
	5.1	Travel speed (with load / without load)	km/h	8,5 / 10,5	7,5 / 10,5	6 / 6
	5.2	Lift speed (with load / without load)	m/s	0,032 / 0,041	0,030 / 0,045	0,034 / 0,045
	5.3	Lowering speed (with load / without load)	m/s	0,05 / 0,037	0,045	0,045 / 0,045
	5.7	Gradeability (with load / without load) ⁽¹⁾	%	*, * / *, *	*, * / *, *	0,7 ⁽¹⁾⁽²⁾⁽¹⁰⁾ / 10,2 ⁽¹⁾⁽²⁾⁽¹⁰⁾
5.8	Max. Gradeability (with load / without load) ⁽¹⁾	%	10 / 18	10 / 18	4,7 ⁽¹⁾⁽²⁾⁽¹⁰⁾ / 21,3 ⁽¹⁾⁽²⁾⁽¹⁰⁾	
Electric Motors	5.10	Service brake		Electric	Electric	Electric
	6.1	Drive motor, S2 60 minute rating	kW	2,5	2,5	1,2
	6.2	Lifting motor, S3 10% rating	kW	1,2	2,2	1,2
	6.3	Battery DIN 43531/35/36; A, B, C, no		DIN 43535 B	DIN 43535 B	DIN 43535 B
	6.4	Battery voltage / capacity at 5 hour rate	V / Ah	24 / (330 - 375) ⁽³⁾ - [210 - 250] ⁽²⁾	24 / (330 - 375) ⁽³⁾	24 / 210 - 250
Other	6.5	Battery weight(± 5%)	kg	305 ⁽⁹⁾ - [220] ⁽²⁾	305	220
	8.1	Drive control		Electronic	Electronic	Electronic
	8.4	Sound level at the driver's ear according to DIN 12053	dB (A)	< 70	< 70	< 70

(1) Value referred to fork dimension l = 1150 x 560 mm

(2) With battery compartment for DIN 24 V / 210 - 250 Ah

(3) With battery compartment for DIN 24 V / 330 - 375 Ah

(4) For different fork length available as option see chart page 1

(5) with forks dimensions l = 980 mm

(6) Value according to the normative for pedestrian pallet truck

(7) Value according to the normative for rider truck or high lift pallet truck

(8) With outside forks dimension b5 = 520mm

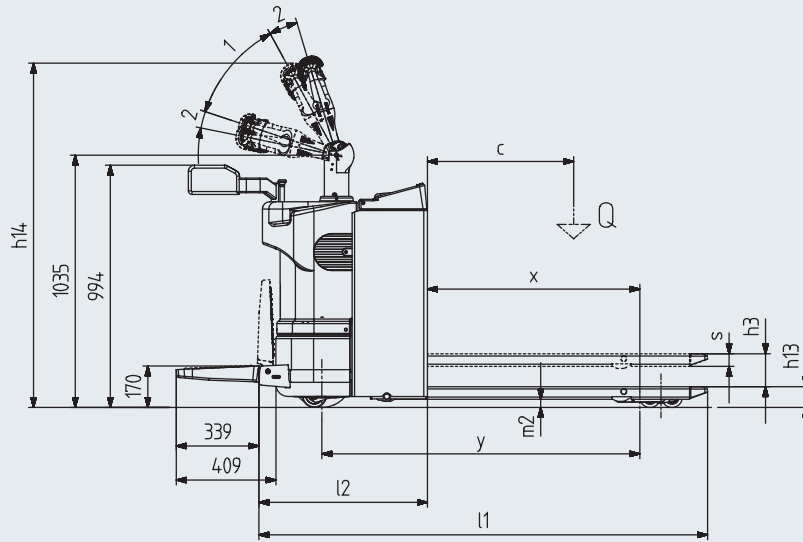
(9) With outside forks dimension b5 = 650mm

(10) With opened platform

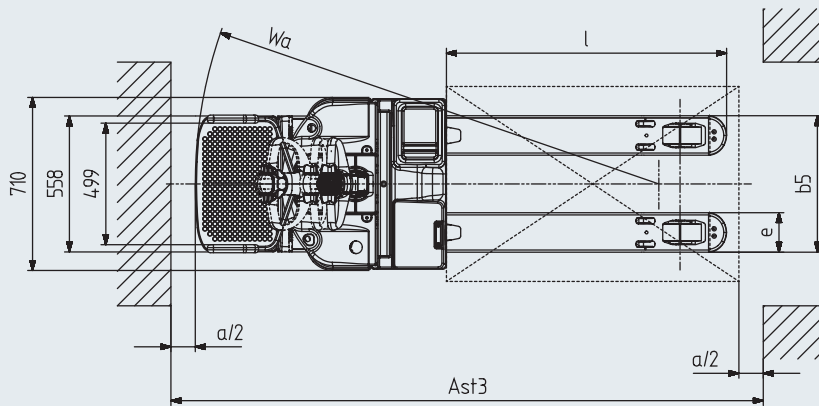
Information and data reported here are not intended as binding in any way and refer to standard truck specification

For alternative masts see mast-table

For alternative wheels see wheels-table



1=Travel
2=Braking



		Fork dimensions			Battery compartment DIN 24V 210 - 250 Ah				Battery compartment DIN 24V 315 - 375 Ah					
		l	c	x	y	closed platform		open platform		y	closed platform		open platform	
						l ₁	W _a *	l ₁	W _a *		l ₁	W _a *	l ₁	W _a *
						[mm]	[mm]	[mm]	[mm]		[mm]	[mm]	[mm]	[mm]
TSX 20-30	Standard wheelbase	800	400	522	954	1504	1247	1830	1554	1026	1576	1319	1903	1626
		980	500	702	1134	1684	1427	2010	1734	1206	1756	1499	2083	1806
		1150	600	872	1304	1854	1597	2180	1904	1376	1926	1669	2253	1976
		1450	715	1172	1604	2154	1897	2480	2204	1676	2226	1969	2553	2276
		1600	800	1322	1754	2304	2047	2630	2354	1826	2376	2119	2703	2426
		1980	1000	1702	2134	2684	2427	3010	2734	2206	2756	2499	3083	2806
		2160	1072,5	1882	2314	2864	2607	3190	2914	2386	2936	2679	3263	2986
		2400	1200	2122	2554	3104	2847	3430	3154	2626	3176	2919	3503	3226
	Short wheelbase	1980 pc	1000	1354	1790	2684	2083	3010	2390	1862	2756	2155	3083	2462
		2160 pc	1072,5	1534	1970	2864	2263	3190	2570	2042	2936	2335	3263	2642
2400 pc		1200	1774	2210	3104	2503	3430	2810	2282	3176	2575	3503	2882	
TLX 20		800	400	522	954	1504	1247	1830	1554					
		980	500	702	1134	1684	1427	2010	1734					
		1150	600	872	1304	1854	1597	2180	1904					
		1450	715	1172	1604	2154	1897	2480	2204					
		1600	800	1322	1754	2304	2047	2630	2354					

* Value referred with lifted forks

