

XLogo 1^{ac} - XLogo 2^{ac}

Technical Data



XLogo 1^{ac} - XLogo 2^{ac} Technical Data

VDI 2198

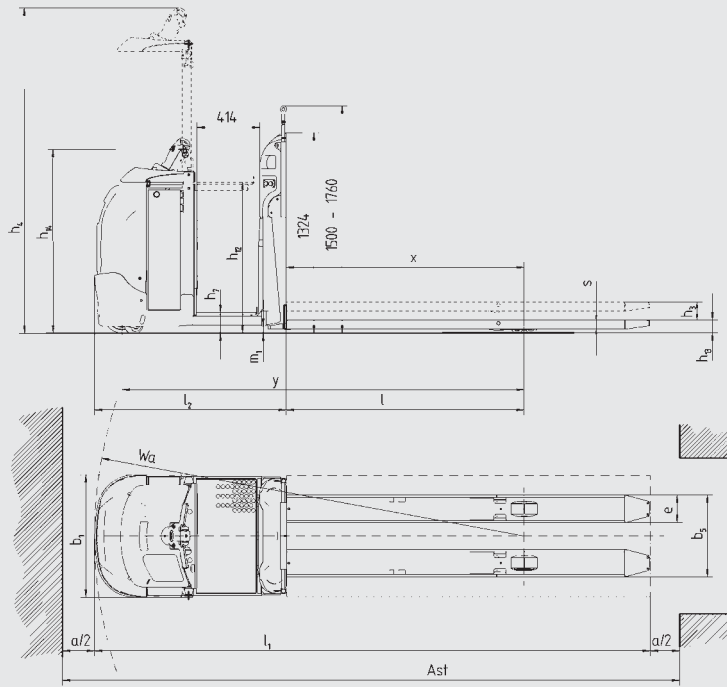
Specification	1.1	Manufacturer	OM		OM			
	1.2	Model designation	XLOGO 1 ^{ac} (fixed platform)	XLOGO 1 ^{ac} (lifting platform)	XLOGO 2 ^{ac} (fixed platform)	XLOGO 2 ^{ac} (lifting platform)		
	1.3	Power: battery, diesel, LPG, electric mains	Electric		Electric			
	1.4	Operation: manual, pedestrian, stand.on, seated, orderpicker	Tiller		Tiller			
	1.5	Load capacity	Q (t)	2	1			
	1.6	Load centre	c (mm)	See table	600			
	1.8	Load distance	x (mm)	See table	857			
	1.9	Wheelbase	y (mm)	See table	2062			
Weights	2.1	Unladen weight (without battery)	kg	739 ⁽¹⁾	808 ⁽¹⁾	760	829	
	2.2	Axle load with load (front/rear)	kg	1149 / 2070 ⁽¹⁾⁽³⁾⁽⁵⁾	1204 / 2084 ⁽¹⁾⁽³⁾⁽⁵⁾	1049 / 1211 ⁽¹⁾⁽⁵⁾	1101 / 1228 ⁽¹⁾⁽⁵⁾	
	2.3	Axle load without load (front/rear)	kg	945 / 274 ⁽¹⁾⁽⁴⁾⁽⁵⁾	1001 / 287 ⁽¹⁾⁽⁴⁾⁽⁵⁾	924 / 335 ⁽¹⁾⁽⁵⁾	976 / 353 ⁽¹⁾⁽⁵⁾	
Wheels and Tyres	3.1	Tyres Rubber, Pneum. shaped solid, Pneumatic, Polyurethane	Poliurethane		Poliurethane			
	3.2	Tyre size, front	mm	250x80 / 110x60		250x80 / 110x60		
	3.3	Tyre size, rear	mm	85x70		85x90		
	3.5	Wheels, number front/rear (x = driven)		1x - 2/4		1x - 2 / 2		
	3.6	Track width, front	b10 (mm)	558		558		
	3.7	Track width, rear	b11 (mm)	318 / 358 / 488		370		
Dimensions and Overall Sizes	4.4	Lift height	h3 (mm)	125		840		
	4.5	Maximun height of the handle bar with elevated platform	h4 (mm)	-	2053	-	2053	
	4.8	Platform height	h7 (mm)	112	135	112	135	
	4.9	Height of tiller arm in working position min./max.	h14 (mm)	1212	1212	1212	1212	
	4.14	Raised platform height	h12 (mm)	/	900	/	900	
	4.15	Lowered height	h13 (mm)	85		85		
	4.19	Overall length	l1 (mm)	See table		2538		
	4.20	Length to face of forks	l2 (mm)	1267		1388		
	4.21	Overall width	b1 (mm)	805		805		
	4.22	Forks dimensions	s/e/l (mm)	60 / 182 / Vedi Tabella		170 / 55 / 1150		
	4.25	Outside fork width	b5 (mm)	500 / 540 / 670		540		
	4.32	Ground clearance at centre of wheelbase	m1 (mm)	45		45		
	4.33	Aisle width with pallets 1000 x 1200 crossways	Ast3 (mm)	See table		2588		
	4.34	Aisle width with pallets 800 x 1200 lengthwise	Ast3 (mm)	See table		2788		
	4.35	Turning radius	Wa (mm)	See table		2245		
Performance	5.1	Travel speed with/without load	km/h	11 / 14		11 / 14		
	5.2	Lift speed with/without load	m/s	0,04 / 0,05	0,11 / 0,21	0,09 / 0,11	0,2 / 0,38	
	5.3	Lowering speed with/without load	m/s	0,05 / -	0,05 / -	0,1 / -	0,1 / -	
	5.7	Gradeability KB30°, laden/unladen	%					
	5.8	Max. gradeability, laden/unladen	%					
	5.9	Acceleration time, laden/unladen	s	/		/		
	5.10	Service brake		Electric		Electric		
	Engine	6.1	Drive motor, S2 60 minute rating	kW	3		3	
		6.2	Lifting motor, S3 15% rating	kW	1,2	2,2	1,2	2,2
		6.3	Battery DIN 43531/35/36 A, B, C, no		Elements DIN		Elements DIN	
6.4		Battery voltage/capacity at 5 hour rate	V / Ah	24 / 420-480		24 / 420-480		
6.5		Battery weight (+-5%)	kg	370 / 390		389 / 410		
Others	8.1	Drive control		Electronic		Electronic		
	8.4	Average noise level, driver's ear	dB (A)	<70		<70		

The values presented are to be taken as indicative and not binding; they refer to the standard equipment

(1) With forks L=2400mm
 (2) - 97mm with forks fully lifted
 (3) With driver on board and fully lifted forks
 (4) With driver on board and lowered forks
 (5) With 480Ah battery

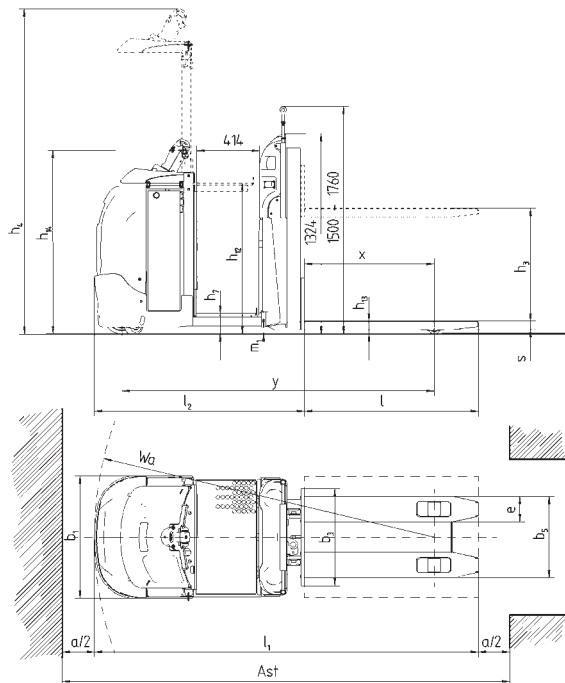
(1) With driver on board
 (2) With 480Ah battery

XLogo 1^{ac}



	l	c	y	l1	Wa ⁽²⁾	x ⁽²⁾	Ast3
	1150	600	1961	2417	2242	975	2667
	1450	750	2132	2717	2412	1145	2967
	2160	1100	2543	3427	2822	1555	3667
	2400	1200	2558	3667	2837	1570	3867
Large wheelbase	2400	1200	2831	3667	3110	1843	3867
	2850	1450	2921	4117	3200	1933	4367

XLogo 2^{ac}



XLogo 1^{ac} - XLogo 2^{ac}

Low level order picker



Frame: The new concept frame has been designed using Finite Element Method calculus (FEM). The XLOGO^{ac} chassis is based on 3 contact points and two stabilizer wheels. The traction wheel is in a central position with two pivoting side wheels. This new features allows better ground contact on bends and during braking, a better capability in overcoming entry slopes or ground unevenness and obviously faster travelling speed within the current standards. All covers are made with high density polyethylene (HDPE), a resilient material capable of withstanding severe shocks. The same material has been used for the battery cover and for the seating surround, where a number of document and item carrying compartments have been obtained into the moulding. The truck can be equipped with 24V batteries up to 480Ah. Batteries may be assembled from DIN EN 60254-2 standard elements. The XLOGO1^{ac} has a capacity of 2000kg, while the capacity for the fork levelling version is of 1000kg.

Driving position: A newly designed driving position includes the instrumentation panel, the steering handle bar and the battery housing. The footboard has a non slip rubber mat. Floor height is small and the load lifting action does not raise the truck chassis. Both truck versions have a variant with a lifting platform up to 900 mm.

Traction unit: Made by a three phase motor with a rated power of 3kW and speed reducing gearbox. The three phase technology has delivered the following advantages: ■ low rolling noise; ■ energy recovery with consequent reduction of energy consumption; ■ no motor maintenance. The traction motor is bolted solid on the traction reducing box and remains static during steering movements.

Lifting group: Lifting motor with rated power to 1.2 kW for fixed platform models and 2.2 kW for lifting platform versions.

Steering: The XLOGO^{ac} model has electric steering as a standard equipment coupled with a new Easy Drive handle bar where all control are at fingers' reach. The steering motor is a shunt wound type with 0.6W rated power.

Stability system: The OM patented stabilizer pivot wheels ensure an excellent stability whether the truck is empty or laden. This system that we call "second generation IntelliDrive" is based on the combined effort of helical springs and compressed air giving the required thrust on the floor.

Braking: The XLOGO^{ac} is fitted with three braking systems: ■ a parking and emergency brake based on a solenoid activated disk, inserted at the end of normal slow down or by the emergency pushbutton; ■ an electric brake activated by inverting the direction of traction with the accelerator butterfly; ■ a service brake, composite innovative system called eABS and patented by OM, combines the motor braking action and magnetic brake action. This system ensures an effective braking action without skidding.

Electronic system: The truck is equipped with MOSFET technology electronics controlling the traction motor. Signal distribution is by CANBus using automotive class connectors for the highest degree of reliability. The electronics work as an inverter transforming DC battery power to the three phase AC power applied to the motor. The pump motor is controlled by the eABS module. The steering motor is controlled by a MOSFET based dedicated module.

Technical data are given as an indication.
OM Carrelli Elevatori reserves the right to modify them without notice.



OM Carrelli Elevatori S.p.A.
Viale A. De Gasperi, 7
I-20020 Lainate (MI)
Tel.: +39(02)937 65-1
Fax: +39(02)937 65-450
www.om-mh.com