

XR^{ac} Technical Data



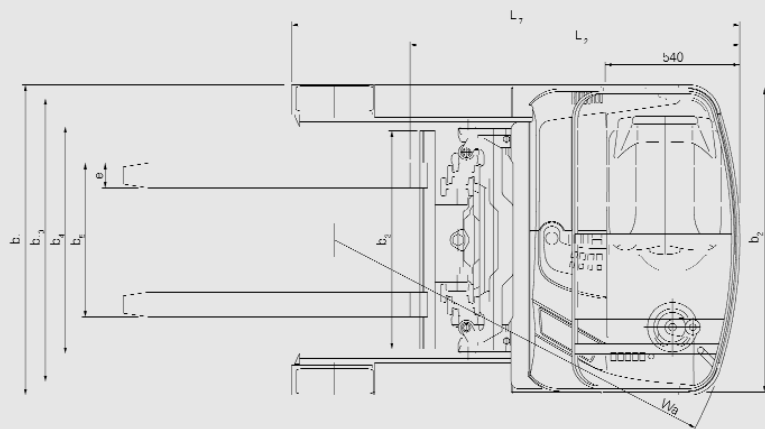
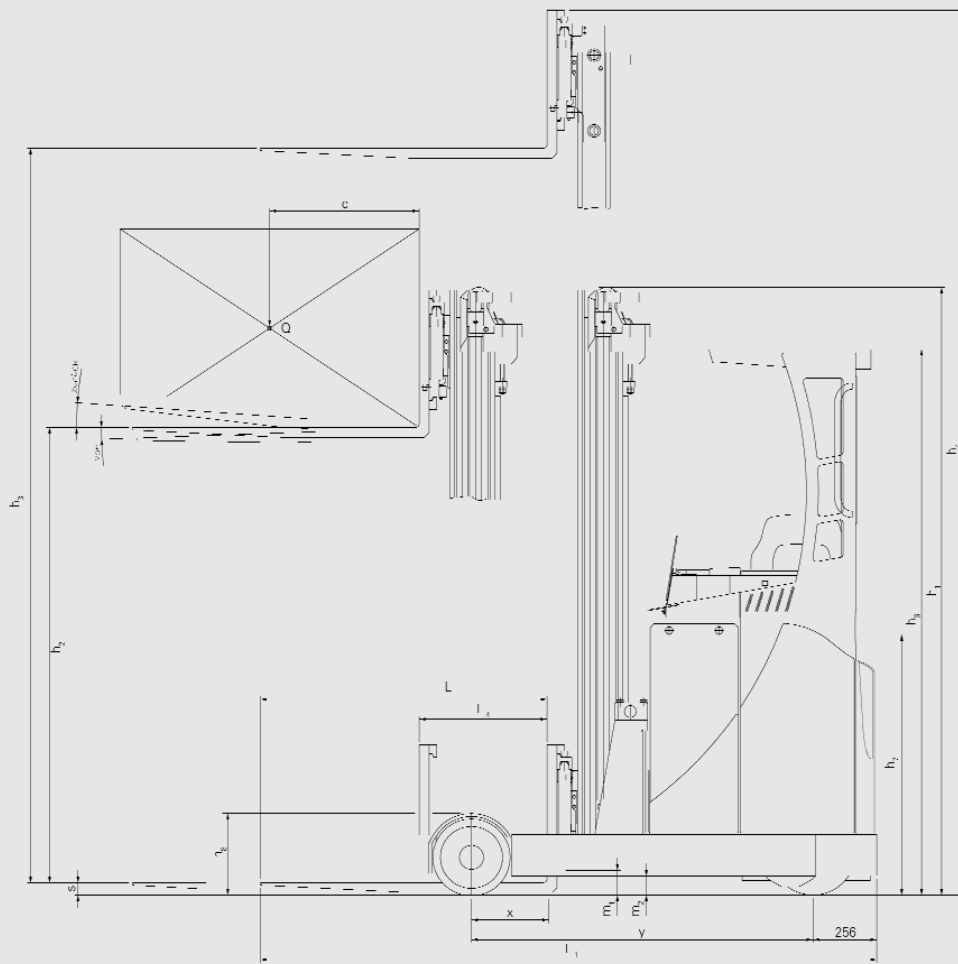
XR^{ac} Technical Data

VDI 2198

Specification	1.1	Manufacturer		OM	OM		
	1.2	Model		XR 12 ^{ac}	XR 14 ^{ac}		
	1.3	Power unit		Electric	Electric		
	1.4	Operator type		Seated	Seated		
	1.5	Loading capacity	Q (t)	1,2	1,4		
	1.6	Centre of gravity	c (mm)	600	600		
Weights	1.8	Load distance, centre of drive axle to fork	x (mm)	382	376	303	230
	1.9	Wheel base	y (mm)	1370	1370		
	2.1	Weight without battery	kg	2850	3110	3310	3500
	2.3	Axles unladen weight	kg	1905 / 945	2020 / 1090	2070 / 1240	2100 / 1400
	2.4	Axles laden weight - reach out	kg	724 / 3326	690 / 3820	800 / 3910	895 / 4005
Wheels and Tyres	2.5	Axles laden weight - reach in	kg	1778 / 2272	1790 / 2720	1765 / 2945	1720 / 3180
	3.1	Tyre type		VULKOLLAN	VULKOLLAN		
	3.2	Size of traction wheels	mm	343 x 135	343 x 135		
	3.3	Size of load wheels	mm	310 x 100	310 x 100		
Dimensions and Overall Sizes	3.5	Wheels: number at front/back (x = traction)		1x / 2	1x / 2		
	3.6	front track (drive wheels)	b10 (mm)	/	/		
	3.7	Rear track (load wheels)	b11 (mm)	1140	1140		
	4.1	Tilt (forward/back)	gradi (°)	2 / 4	2 / 4		
	4.2	Closed mast height	h1 (mm)	2210	2200		
	4.3	Free lift	h2 (mm)	1580	1570		
	4.4	Lifting range	h3 (mm)	5090	5000		
	4.5	Height of mast extended	h4 (mm)	5720	5630		
	4.7	Height of driver's overhead guard	h6 (mm)	2200	2200		
	4.8	Height of seat	h7 (mm)	1050	1050		
Performance	4.10	Height of reach legs	h8 (mm)	330	330		
	4.19	Total length	l1 (mm)	2394	2400	2473	2546
	4.20	Length to fork face	l2 (mm)	1244	1250	1320	1396
	4.21	Total width	b1 (mm)	1250	1250		
	4.22	Fork dimensions	s/e/l (mm)	40 / 100 / 1150	40 / 100 / 1150		
	4.23	Fork carriage		FEM II B	FEM II B		
	4.25	Forks spread (outside)	b5 (mm)	620	620		
	4.26	Reach legs width (inside)	b4 (mm)	914	914		
	4.28	Reach	l4 (mm)	626	586	513	440
	4.31	Ground clearance under mast - laden	m1 (mm)	100	100		
	4.32	Ground clearance at wheel-base centre - laden	m2 (mm)	76	76		
	4.33	90° stacking aisle 1000 x 1200 crosswise	Ast3 (mm)	2694	2698	2752	2809
	4.34	90° stacking aisle 1200 x 800 crosswise	Ast3 (mm)	2744	2748	2815	2882
	Engine	4.35	Minimum turning radius	Wa (mm)	1633	1633	
4.37		Length including reach legs	l7 (mm)	1798	1798		
5.1		Travel speed (loaded/unloaded)	km/h	11 / 11	11 / 11		
5.2		Lifting speed (loaded/unloaded)	m/s	0,38 / 0,6	0,36 / 0,60		
5.3		Lowering speed (loaded/unloaded)	m/s	0,52 / 0,44	0,52 / 0,46		
5.7		Max gradient KB30'	%	10 / 15	10 / 15		
Others	5.8	Max climbing gradient KB5'	%	10 / 15	10 / 15		
	5.10	Service brake		Electric / Hydromechanic			
	6.1	Traction motor, performance KB 60'	kW	6	6		
	6.2	Lifting motor, performance 15% ED	kW	11,5	11,5		
	6.3	Battery standard		IEC 254 - 2 , C	IEC 254 - 2 , C		
	6.4	Voltage / Rated capacity	V / Ah	48 / 420L	48 / 420L	48 / 560L	48 / 700L
	6.5	Weight of battery (+/-5%)	kg	750	750	940	1120
	6.6	Power consumption according to VDI cycle	kWh/h	4,6	4,9		
Others	8.1	Type of control		Alternative current		Alternative current	
	8.2	Working pressure for attachment	bar	140	140		
	8.3	Oil capacity	l/min	18	18		
	8.4	Noise level for operator	dB (A)	< 70	< 70		
				VDI 3597			
		90° stacking aisle 1000 x 1200 crosswise	Ast3 (mm)	2451	2457	2530	2603
	90° stacking aisle 1200 x 800 crosswise	Ast3 (mm)	2651	2657	2730	2803	

The values presented are to be taken as indicative and not binding; they refer to the standard equipment

	OM			OM		OM		OM		1.1	
	XR 16 ^{ac}			XR 20 ^{ac}		XR 20H ^{ac}		XR 25 ^{ac}		1.2	
	Electric			Electric		Electric		Electric		1.3	
	Seated			Seated		Seated		Seated		1.4	
	1,6			2		2		25		1.5	
	600			600		600		600		1.6	
	438	365	242	437	364	364		540		1.8	
	1442			1514		1514		1698		1.9	
	3140	3340	3530	3520	3710	4150		4010		2.1	
	2070 / 1070	2125 / 1215	2160 / 1370	2280 / 1240	2330 / 1380	2480 / 1670		2610 / 1400		2.3	
	620 / 4120	730 / 4210	830 / 4300	675 / 4845	775 / 4935	755 / 5395		690 / 5820		2.4	
	1890 / 2850	1860 / 3080	1820 / 3310	2070 / 3450	2015 / 3695	2170 / 3980		2470 / 4040		2.5	
	VULKOLLAN			VULKOLLAN		VULKOLLAN		VULKOLLAN		3.1	
	343 x 135			343 x 135		343 x 135		343 x 135		3.2	
	310 x 100			310 x 100		310 x 100		310 x 122		3.3	
	1x / 2			1x / 2		1x / 2		1x / 2		3.5	
	/			/		/		/		3.6	
	1140			1140		1140		1164		3.7	
	2 / 4			2 / 4		2 / 4		2 / 4		4.1	
	2200			2200		3600		2450		4.2	
	1570			1570		2970		1765		4.3	
	5000			4825		8725		5475		4.4	
	5630			5455		9355		6160		4.5	
	2200			2200		2200		2200		4.7	
	1050			1050		1050		1050		4.8	
	330			330		330		330		4.10	
	2410	2483	2556	2483	2556	2556		2564 o 2414		4.19	
	1260	1333	1406	1333	1406	1406		1414		4.20	
	1250			1250		1250		1294		4.21	
	50 / 100 / 1150			50 / 100 / 1150		50 / 100 / 1150		50 / 100 / 1150		4.22	
	FEM II B			FEM II B		FEM II B		FEM II B		4.23	
	620			620		620		620		4.25	
	914			914		914		914		4.26	
	658	585	512	657	586	586		771		4.28	
	100			100		100		100		4.31	
	76			76		76		76		4.32	
	2724	2775	2868	2792	2844	2844		2910		4.33	
	2762	2827	2940	2831	2896	2896		2925		4.34	
	1702			1770		1770		1954		4.35	
	1870			1942		1942		2126		4.37	
	11 / 11			11 / 11		11 / 11		12 / 12		5.1	
	0,32 / 0,60			0,28 / 0,48		0,26 / 0,26		0,28 / 0,41		5.2	
	0,54 / 0,46			0,50 / 0,40		0,50 / 0,50		0,50 / 0,41		5.3	
	10 / 15			9,5 / 15		9 / 15		9 / 15		5.7	
	10 / 15			9,5 / 15		9 / 15		9 / 15		5.8	
	Electric / Hydromechanic					Electric / Hydromechanic					5.10
	6			6		6		6		6.1	
	11,5			11,5		11,5		11,5		6.2	
	IEC 254 - 2 , C			IEC 254 - 2 , C		IEC 254 - 2 , C		IEC 254 - 2 , C		6.3	
	48 / 420L	48 / 560L	48 / 700L	48 / 560L	48 / 700L	48 / 700L	48 / 600	48 / 700		6.4	
	750	940	1120	940	1120	1120	1119	1120		6.5	
	5,2			5,2		6,3		4,0		6.6	
	Alternative current			Alternative current		Alternative current		Alternative current		8.1	
	140			140		140		140		8.2	
	18			18		18		18		8.3	
	< 70			< 70		< 70		< 70		8.4	
	2464	2537	2610	2533	2606	2606		2614			
	2664	2737	2810	2733	2806	2806		2814			



MAST TYPE

XR12 ^{ac}						XR14 ^{ac}					XR16 ^{ac}					XR20 ^{ac}					XR25 ^{ac}					
Battery Tray 323 360-465 Ah						Battery Tray 323 360-465 Ah					Battery Tray 323 360-465 Ah					Battery Tray 324 480-620 Ah					Battery Tray 325 600-775 Ah					
h ₃	h ₂	h ₁	h ₄	capacity		h ₃	h ₂	h ₁	h ₄	capacity	h ₃	h ₂	h ₁	h ₄	capacity	h ₃	h ₂	h ₁	h ₄	capacity	h ₃	h ₂	h ₁	h ₄	capacity	
5090	180	2210	5720	1200		5000	1570	2200	5630	1400	5000	1570	2200	5630	1600	4825	1570	2200	5455	2000	4725	1515	2200	5410	2500	
5390	1680	2310	6020	1200		5300	1670	2300	5930	1400	5300	1670	2300	5930	1600	5125	1670	2300	5755	2000	4875	1565	2250	5560	2500	
5840	1830	2460	6280	1200		5750	1820	2450	6380	1400	5750	1820	2450	6380	1600	5575	1820	2450	6205	1900	5325	1715	2400	6010	2450	
5990	1880	2510	6430	1150		5900	1870	2500	6530	1350	5900	1870	2500	6530	1600	6025	1970	2600	6655	1800	5475	1765	2450	6160	2400	
6290	1980	2610	6730	1100		6200	1970	2600	6830	1350	6200	1970	2600	6830	1500	6325	2070	2700	6955	1700	6225	2015	2700	6910	2200	
6590	2080	2710	7030	1000		6500	2070	2700	7130	1300	6500	2070	2700	7130	1500	6625	2170	2800	7255	1700	6825	2215	2900	7510	2150	
						6800	2170	2800	7430	1250	6800	2170	2800	7430	1400						6975	2265	2950	7660	2100	
						7100	2270	2900	7730	1250	7100	2270	2900	7730	1400						7625	2515	3200	8310	1900	
																					8225	2715	3400	8910	1800	
																					8725	2915	3600	9410	1700	
																					9225	3215	3900	9910	1600	
Battery Tray 324 480-620 Ah						Battery Tray 324 480-620 Ah					Battery Tray 324 480-620 Ah					Battery Tray 325 600-800 Ah										
h ₃	h ₂	h ₁	h ₄	capacity		h ₃	h ₂	h ₁	h ₄	capacity	h ₃	h ₂	h ₁	h ₄	capacity	h ₃	h ₂	h ₁	h ₄	capacity	h ₃	h ₂	h ₁	h ₄	capacity	
5090	1580	2210	5720	1200		5000	1570	2200	5630	1400	5000	1570	2200	5630	1600	4825	1570	2200	5455	2000						
5390	1680	2310	6020	1200		5300	1670	2300	5930	1400	5300	1670	2300	5930	1600	5125	1670	2300	5755	2000						
5840	1830	2460	6280	1200		5750	1820	2450	6380	1400	5750	1820	2450	6380	1600	5575	1820	2450	6205	2000						
5990	1880	2510	6430	1200		5900	1870	2500	6530	1400	5900	1870	2500	6530	1600	6025	1970	2600	6655	2000						
6290	1980	2610	6730	1150		6200	1970	2600	6830	1400	6200	1970	2600	6830	1600	6325	2070	2700	6955	1900						
6590	2080	2710	7030	1050		6500	2070	2700	7130	1400	6500	2070	2700	7130	1600	6625	2170	2800	7255	1900						
						6800	2170	2800	7430	1350	6800	2170	2800	7430	1600	7075	2320	2950	7705	1800						
						7100	2270	2900	7730	1300	7100	2270	2900	7730	1600	7825	2570	3200	8255	1700						
						7825	2570	3200	8455	1250	7825	2570	3200	8455	1600	8375	2820	3450	9205	1600						
						8375	2820	3450	9205	1100	8375	2820	3450	9205	1400	8825	2970	3600	9455	1500						
						8825	2970	3600	9455	1050	8825	2970	3600	9455	1400	9025	3070	3700	9655	1500						
						9025	3070	3700	9655	950	9025	3070	3700	9655	1300	9325	3170	3800	9955	1400						
						9325	3170	3800	9955	850	9325	3170	3800	9955	1300	9625	3270	3900	10255	1300						
						9625	3270	3900	10255	800	9625	3270	3900	10255	1200											
Battery Tray 325 600-800 Ah						Battery Tray 325 600-800 Ah					Sollevatori Rinforzati Battery Tray 325 600-800 Ah															
h ₃	h ₂	h ₁	h ₄	capacity		h ₃	h ₂	h ₁	h ₄	capacity	h ₃	h ₂	h ₁	h ₄	capacity											
5000	1570	2200	5630	1400		5000	1570	2200	5630	1600	8725	2970	3600	9355	1600											
5300	1670	2300	5930	1400		5300	1670	2300	5930	1600	9025	3070	3700	9655	1500											
5750	1820	2450	6380	1400		5750	1820	2450	6380	1600	9225	3270	3900	9855	1450											
5900	1870	2500	6530	1400		5900	1870	2500	6530	1600	9825	3470	4100	10455	1300											
6200	1970	2600	6830	1400		6200	1970	2600	6830	1600	10025	3670	4300	10655	1300											
6500	2070	2700	7130	1400		6500	2070	2700	7130	1600	10325	3770	4400	10955	1250											
6800	2170	2800	7430	1400		6800	2170	2800	7430	1600	10625	3870	4500	11255	1150											
7100	2270	2900	7730	1350		7100	2270	2900	7730	1600	10925	4070	4700	11555	1050											
7825	2570	3200	8455	1350		7825	2570	3200	8455	1600	11225	4170	4800	11855	950											
8375	2820	3450	9205	1200		8375	2820	3450	9205	1500	11525	4270	4900	12155	850											
8825	2970	3600	9455	1150		8825	2970	3600	9455	1400																
9025	3070	3700	9655	1050		9025	3070	3700	9655	1400																
9325	3170	3800	9955	1000		9325	3170	3800	9955	1300																
9625	3270	3900	10255	950		9625	3270	3900	10255	1300																

XR^{ac} Reach truck



The XR^{ac} has been designed for high levels of productivity due to high rest capacities and narrow working aisles. All trucks are built in full compliance of the European Machine Directive.

Driving seat: ■ Damped seat, adjustable according to the height and weight of the operator. ■ Multi-purpose Liquid Crystal Display showing information relating to the operation of the machine and the optional equipment. Standard: Battery charge indicator / Hourmeter / Selected functions / Warning lights / Drive wheel position indicator. Optional: / Forks height indicator / Pre-selector. ■ Due to their ergonomic arrangement all electrical and hydraulic functions can be operated with ease. ■ Visibility through the overhead guard is excellent to ensure accurate pallet placing. ■ Optional height adjustable footplate.

Chassis: The use of robotically welded and automatically profiled material enables high quality and modern design. Detailed study of the chassis has resulted in a low centre of gravity, ensuring maximum stability in all driving and stacking manoeuvres, offering high residual capacities at maximum height.

Traction: Robust, powerful three phase motor delivering 6 kW (KB 60 minute).

Hydraulic system: Powerful three phase motor delivering 11.5 kW (ED 15%). Pump with internal gear for quiet running. Hydraulic functions calibrations due to proportional valve technology to ensure exact and easy movements. Synchronous movements are allowed.

Lifting and hydraulic functions: Triplex masts with full free lift; tilting carriage and integrated side shift prevent the center of gravity from moving too far forward providing increased residual capacity at all lifting heights. Mast carriage with end stroke damper, for quick, safe movements. All functions are controlled by small potentiometric switches giving "fingertip" hydraulic control providing the operator maximum sensitivity, allowing safe and precise movement.

Electronic system: Single high frequency unit traction and lifting system, giving silent running and low battery consumption. All traction parameters, electric braking and hydraulic function parameters can be personalized according to the users requirements (up to 5 adjustable travel profiles can be selected directly by display). Slow traction function can be selected. Data transmission using the Can-Bus system considerably reduces the electrical wiring. All electrical systems and wiring are protected to IP 45 (minimum) and are therefore protected against water splashes and dust, ensuring long term reliability. Lift lockout when battery charge is low.

Steering: Full electrical power steering. Small diameter steering wheel and knob for quick easy maneuvering. Steering column with adjustable rake. Effortless driving with maximum precision.

Brakes: 3 independent braking systems. ■ Regenerative braking on accelerator release or on reverse travel direction. ■ The hydraulic/mechanic pedal brake acts on the two load wheels. ■ Electromagnetic brake on travel motor activated as parking by a switch on the cockpit.

Maintenance: Reduced service interval. Easy access to all components.

Technical data are given as an indication.

OM Carrelli Elevatori reserves the right to modify them without notice.



OM Carrelli Elevatori S.p.A.
Viale A. De Gasperi, 7
I-20020 Lainate (MI)
Tel.: +39(02)937 65-1
Fax: +39(02)937 65-450
www.om-mh.com